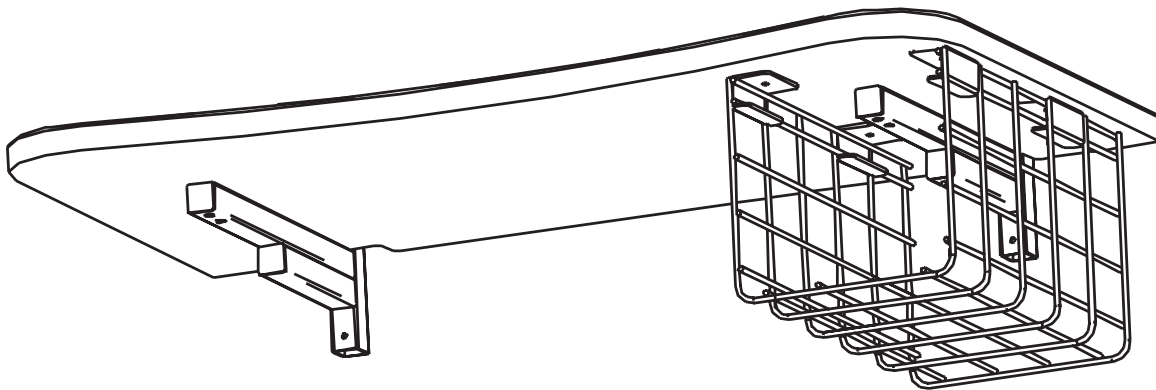


Basic Instructions only!
For more detailed product information, refer to the Studio Makeup Station Owner's Manual 187A205.

CAUTION
Make sure anyone assembling, installing or using these products has read and understands these instructions.

CAUTION
Failure to comply with Warnings and Cautions in this document or on the equipment can result in damage to property or injury.



Storage Basket
Installed

Contents

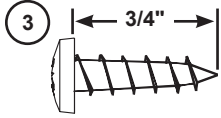
Supplied Hardware	2	Before Starting the Assembly	3
Parts List	2	Storage Basket Installation	3
Required Tools	2		



Visit the Studio Makeup Station web page at wengercorp.com for more information.

Note: Please read and understand these instructions before proceeding.
Note: If you need additional information, contact Wenger Corporation using the information below.

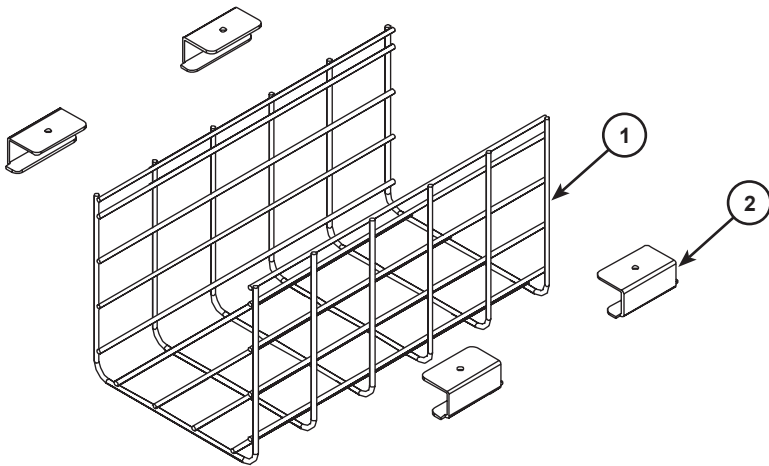
Supplied Hardware



#10 x 3/4"
Phillips Pan Head
Sheet Metal Screw

Parts List

Item	Qty	Description
1	1	Storage Basket
2	4	Clip
3	4	10 x 3/4" Phillips Pan Head Sheet Metal Screw



Required Tools

- 8" Long phillips screwdriver
An electric screw driver with a long extension can also be used.

Before Starting the Assembly

Before installing the studio makeup station storage basket option, do the following.

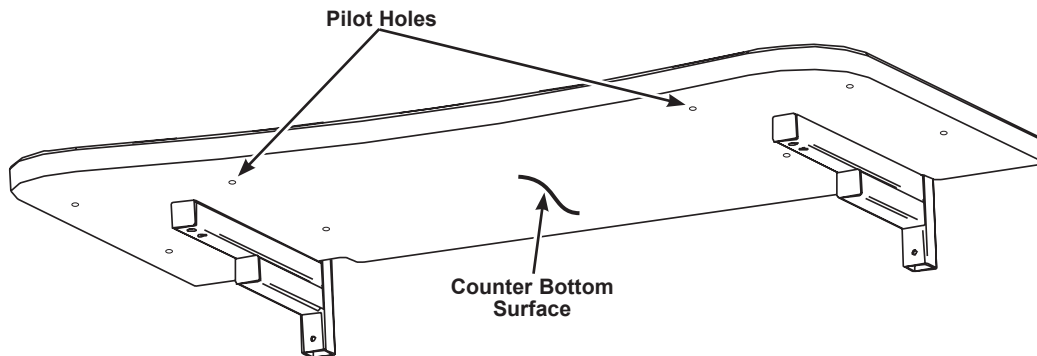
1. Read and understand this installation instruction completely.
2. Make sure that the shipping carton contains a storage basket, four clips, and four screws.

⚠WARNING

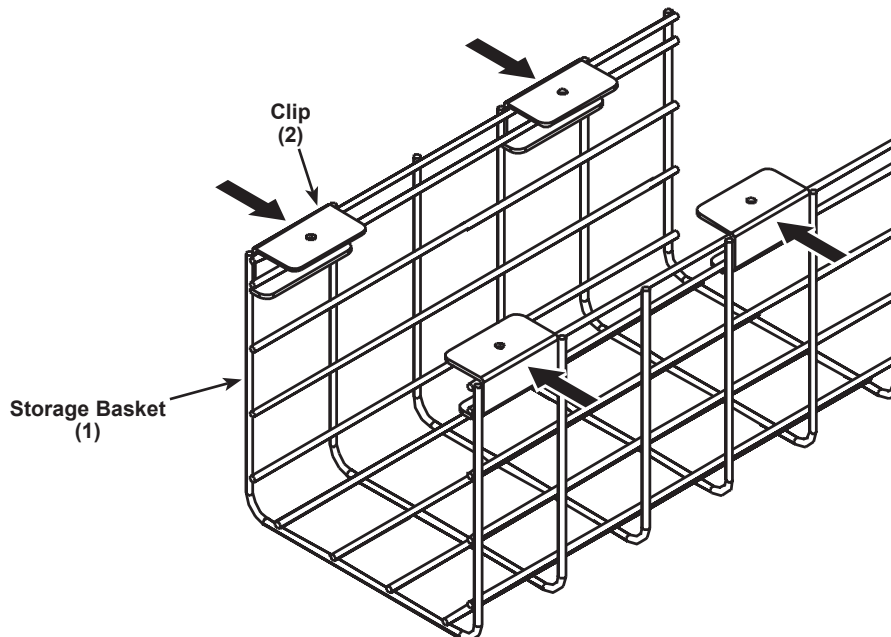
*Never remove the counter to install the storage basket.
Removing the counter exposes live electrical wires.
Contact with these wires can result in electrical shock.*

Storage Basket Installation

1. Locate the four pre-drilled pilot holes on the bottom-right or left side of the counter.



2. Assemble the four clips to the storage basket as shown.



Storage Basket Installation (continued)

3. Hold the storage basket (1) with the clips (2) against the bottom of the counter, aligning the holes in the clips to the four pilot holes.
4. Using an 8" phillips screwdriver, attach the clips to the counter with four pan head screws (3).

⚠ CAUTION

Tighten the pan head screws only enough to be snug. Over tightening can strip the threads in the counter.

